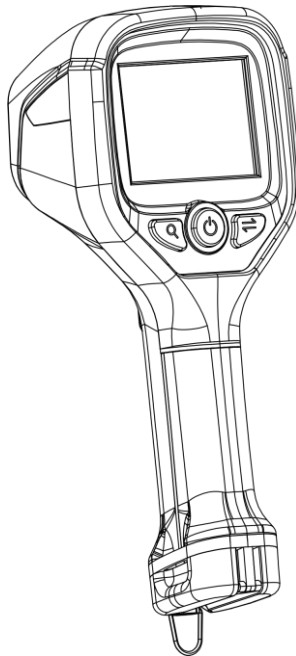


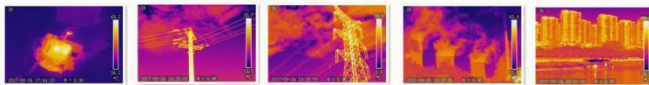
USER MANUAL

Search & Rescue

Firefighting

Model: F300





Precautions

Before using the Fire Thermal imaging camera, please make sure that you have read and understood the precautions described below.

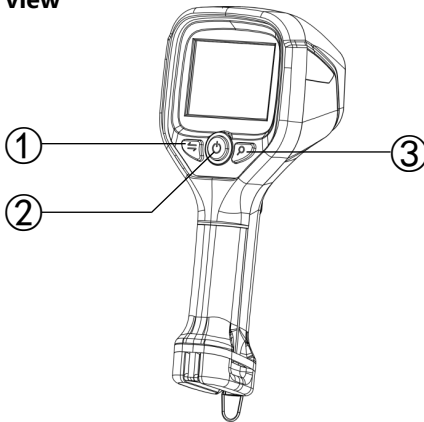
- ※ Do not open the camera without permission to carry out repairs or modifications. Repairs can only be performed by qualified professionals in our company.
- ※ It is strictly prohibited to directly point the lens of the device at strong high-temperature radiation sources (such as the sun), so not to cause damage to the accuracy of the device or even cause permanent damage!
- ※ Do not point the laser at the human eye, the laser beam can cause discomfort to the human eye
- ※ The camera should be stored in a cool and dry environment, ventilated and without strong electromagnetic fields! Storage temperature should be between $-20\text{ }^{\circ}\text{C}$ and $85\text{ }^{\circ}\text{C}$
- ※ When cleaning the infrared lens, do not use a rough textured cloth to wipe it hard to prevent damage to the infrared lens

- ※ Before use, please ensure that the shell of the device is not damaged, and the battery is not deformed by dew to ensure the safe use of the device

- ※ Please use the standard battery and charger..

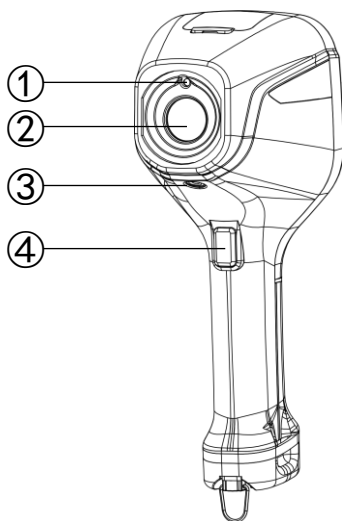
Camera Description

front view



- ① **Zoom in button. The button has three functions:**
 - ◆ Select menu items (short press, menu status)
 - ◆ Display menu (long press, initial state)
 - ◆ Digital zoom (short press, initial state)
- ② **Switch on / off button. The button has three functions:**
 - ◆ Zero adjustment (short press)
 - ◆ Power On(long press to boot and power on)
 - ◆ Shut down (long press to shutdown)
 - ◆ Enter (short press, menu status)
- ③ **Menu switch key. The button has three functions:**
 - ◆ NEXT key (short press, menu status)
 - ◆ Scene switching (short press, initial state)
 - ◆ Laser pointer (long press, initial state)

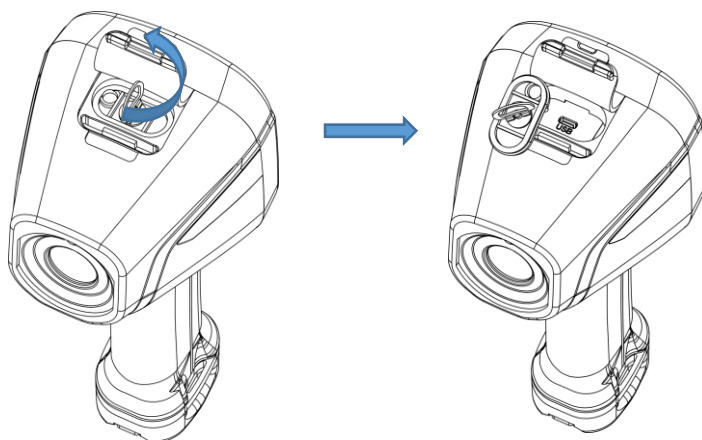
Rear view



- ① Laser pointer
- ② Lens
- ③ Tripod adapter
- ④ Camera video button. The button has two functions
 - ◆ Take a photo (short press, initial state)
 - ◆ Video (long press, initial state)

Instructions

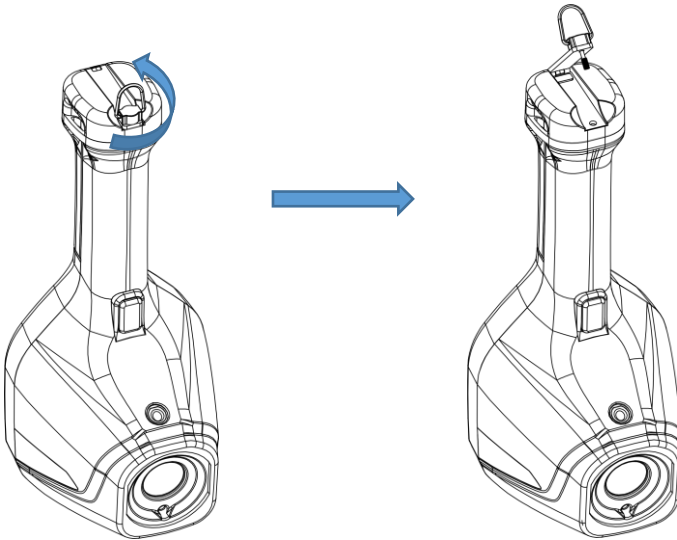
1. Access the USB interface



Steps:

- 1) Lift the rubber cover on top of the camera
- 2) Grasp the metal ring and turn it anticlockwise about 45 ° to the open position
- 3) Pull out the plastic insert

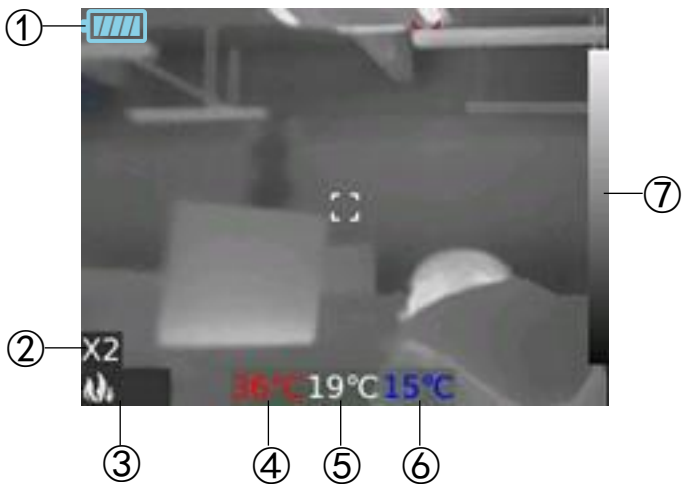
2. Remove the battery



Steps:

- 1) Turn the screw anticlockwise to the open position and pull out the lock
- 2) Remove the battery from the battery compartment

Main interface



- ① Battery Status
- ② Digital zoom
- ③ Application mode
- ④ Highest temperature
- ⑤ Center point temperature
- ⑥ Lowest temperature
- ⑦ Color reference bar

Function details

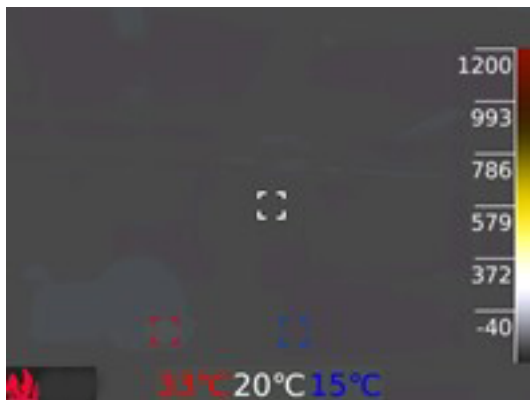
Application mode

1、Fire



Used to extinguish and rescue in a completely spread fire.

White hot and color scale, the brightness has been expanded and the dynamic range of the scene is covered. Gradually increase coloring in the scene when the temperature is above 150 ° C / 300 ° F.



Color reference bar has 6 scales. By changing the brightness and color saturation, the image details remain visible throughout the range.

- Grayscale: -40°C-456°C

- Yellow: 456°C-704°C
- Orange: 704°C-952°C
- Red: 952°C-1200°C

2、 MRO/Ignite



Used to detect the fire source after the fire is extinguished.

White hot scale is extended to cover the dynamic range of the scene.

Regardless of the absolute temperature, red is added to the hottest part of the scene. yellow is added to the next hottest part of the scene.



The color reference bar has no temperature scale

By changing brightness and color saturation, the image details remain visible throughout the entire range.

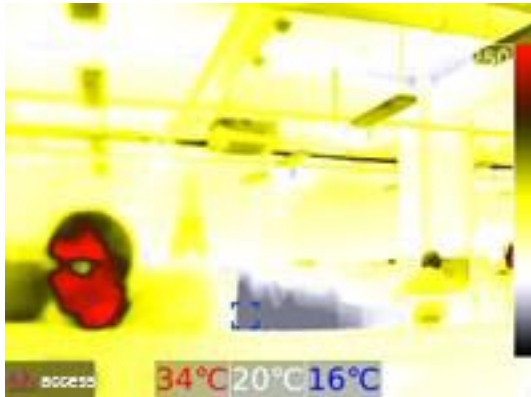
3、 Access



Used to easily locate the fire point from the periphery of the building.

White scale is extended to cover the dynamic range of the scene

This mode has a limited dynamic range of 250°C/480°F, so to turn yellow at 80°C/180°F.



The color reference bar has no temperature scale.

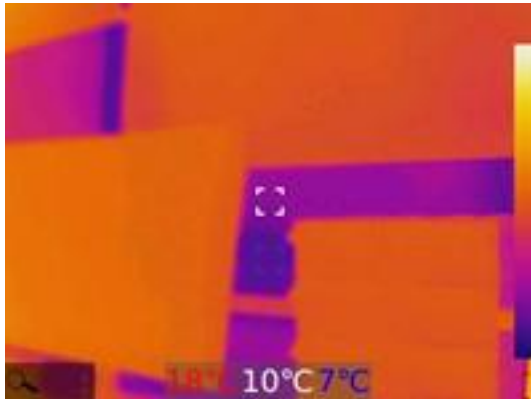
By changing the brightness and color saturation, the image details remain visible throughout the range.

4、 Check



Used for predictive maintenance, checking equipment and buildings to prevent fires.

Full color scale (black, blue, purple, orange, yellow to white), expanded to cover the dynamic range of the scene



The color reference bar has no temperature scale.

By changing brightness and color saturation, image details remain visible throughout the entire range.

5. Search



Used for general search and rescue, no image color.



The color reference bar has no temperature scale.

By changing brightness and color saturation, image details remain visible throughout the entire range.

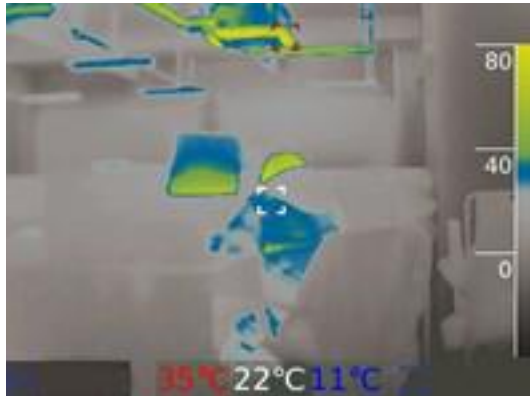
6. Missing



Used to search for people in buildings, traffic accident scenes or general search and rescue

Black hot scale is extended to cover the limited dynamic range of

-40 °C-80 °C.



The color reference bar has no temperature scale.

By changing brightness and color saturation, image details remain visible throughout the entire range.

- Dynamic range: -40 °C-80 °C

7、 General



Used for general search.

Black hot scale is extended to cover the dynamic range of the scene.



The color reference bar has no temperature scale.

By changing brightness and color saturation, image details remain visible throughout the entire range.

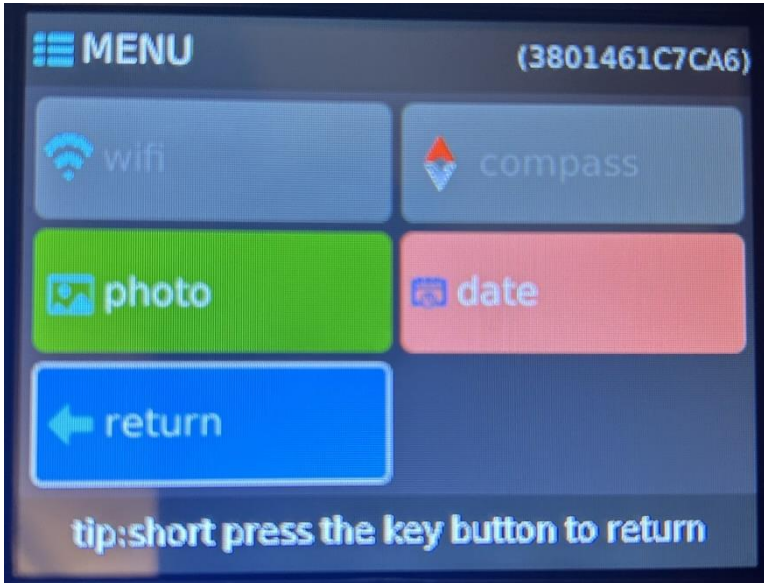
Laser pointer

Press and hold the menu to switch on the laser pointer, long press the button again to turn off.

When the laser pointer is turned on, the laser dot shows in the center of the screen.



Menu



Wifi – Short press to switch on/off the Wifi to connect to the android app

Compass- Short press to enter and calibrate the compass

Photo- Short press to enter/exit. View images. Images can be deleted by connecting to a computer through the USB port and deleting same as a normal file.

Date- Short press to enter and set the date and time

Return- Short press to return to the thermal image mode