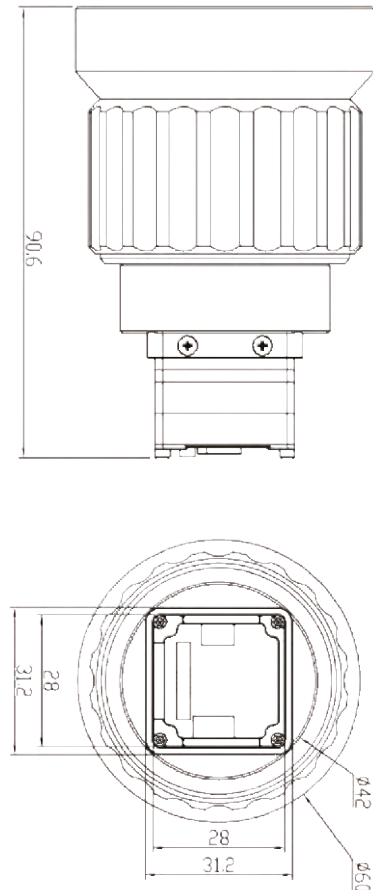


Uncooled IR Imaging Module

THERMAL CORES



- Customizable electrical interfaces for all kinds of system integration
- Small size, low weight and low power consumption
- Embedded enhancement of infrared image algorithms
- Utilized in various applications on the integration of infrared cameras and EO system for security & surveillance, car night vision, AIoT and Industry 4.0



SPECIFICATION	
Model	UC640-50
Resolution	640 × 512
Detector Type	Uncooled Microbolometer
Spectral Range	8 μm ~ 14 μm
Pitch Size	12 μm
Lens	50mm F1.0
NETD	≤ 40 mK
Image Frequency	60 Hz
Video Output	Analog (Standard) : CCIR PAL NTSC Digital (Optional) : SDI, Camera Link, LVDS, BT.656, BT.601
Communications	RS-232 (Standard); RS-422, RS-485, TTL (Optional)
Power Supply	5~12 V DC
Power Consumption	≤ 1.5W
Weight	≤ 70g
Size (L × W × H)	≤ 90.6mm × 60mm × 60mm
Operating Temp.	-40°C ~ +60°C
Storage Temp.	-45°C ~ +70°C
Extended Functions	Temp. Measurement, HFR Output, *Centroid Extraction